



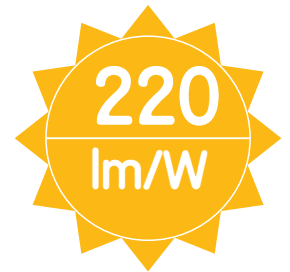
**AUSSIE**  
GREEN LIGHTING

Unit 10/78 Willandra Drive Epping Vic 3076 | 03 9401 4885|

E-mail: [info@aussiegreenlighting.com.au](mailto:info@aussiegreenlighting.com.au) |

Web: [www.aussiegreenlighting.com.au](http://www.aussiegreenlighting.com.au)

# LED Flood Light | SP



Built-in sensor

## Advantages

- High efficiency, 220lm/w available.
- Beam angle 120°
- Integrated die-casting aluminum housing, elegant appearance
- Good heat dissipation, long lifespan
- Tempered glass, surface coating process, excellent corrosion-proof
- IP65

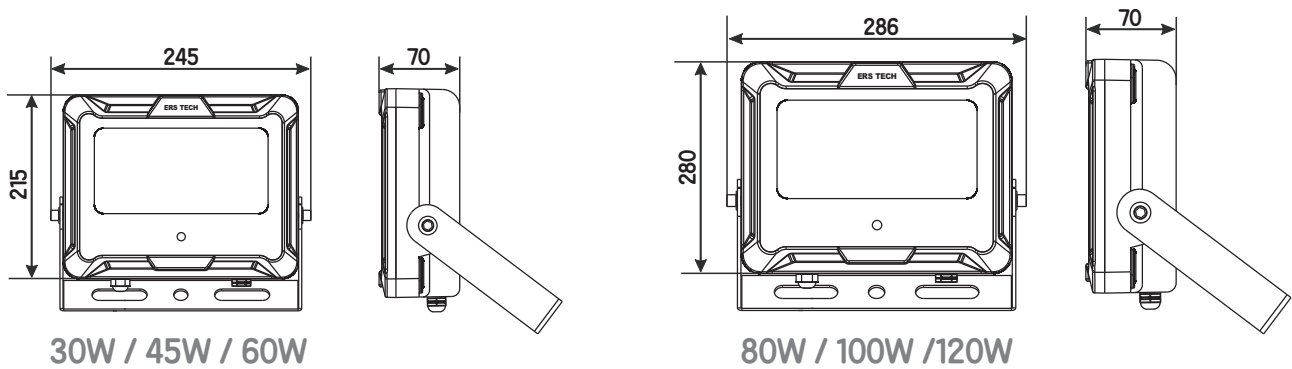


## APPLICATION

- Billboard
- Road
- Tunnel
- Bridge and culvert
- Square
- Building



## DISTANCE

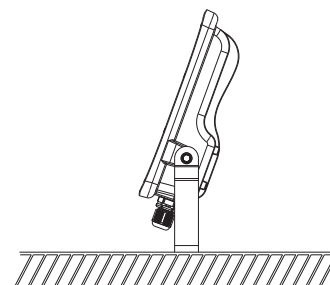
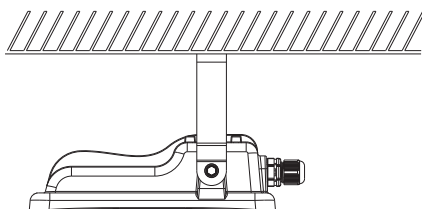
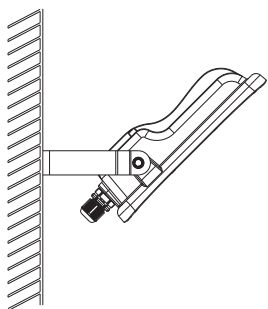


## SPECIFICATIONS

Power	30W	45W	60W	80W	100W	120W
Efficiency	220lm/w					
Lumen	6375lm	9463.5lm	12552lm	17048lm	20950lm	25032lm
Input Voltage	AC220–240V,50Hz					
CCT	4000K, 5000K, 6500K					
IP Rating	IP 65					
Beam Angle	120°					
Power Factor	>0.9					
CRI	Ra>80					
LED Type	SMD 2835					
Sensor	Daylight & Microwave Motion Sensor					
Dimmable	Programmable dimming					
Material	AL					
Power Supply Efficiency	>94%					
Product Size(mm)	245X215X70	245X215X70	245X215X70	286X280X70	286X280X70	286X280X70



## INSTALLATION



1. Fix the bracket on the wall by screws.
2. Adjust the lamp body to proper orientation.
3. Fix the screws that connecting the bracket and the lamp body.

Power	W mm(inch)	L mm(inch)	H mm(inch)	Weight KG	Maximum mounting height M	Max torque for mounting screws N.M
30/45/60W	245	215	70	2.5	5	20
80/100/120W	286	280	70	3.3	8	20

## WARNING

The external flexible cable or cord of this luminaire cannot be replaced; if the cord is damaged, the luminaire shall be destroyed.

